

MDS Series Micro Snap-acting Detect Switches



Features/Benefits

- Snap-acting tactile feel
- Small package size
- Available in vertical or right angle PCB mount
- Long total travel of 2,9 mm
- RoHS compliant and compatible

Typical Applications

- Detect the presence of a mechanical device
- Medical devices
- Consumer electronic devices
- ATCA applications

Specifications

CONTACT RATING: 0.3A @ 6 VDC.
 MECHANICAL & ELECTRICAL LIFE: 15,000 operations.
 CONTACT RESISTANCE: 200 m Ω max.
 OPERATING TEMPERATURE: -25°C to +70°C.
 SOLDERABILITY: According to lead free solder profiles.
 PACKAGING: Available in bulk or tape and reel.
 OPERATING FORCE: 65g Max.
 RELEASE FORCE: 3g Min.

Materials

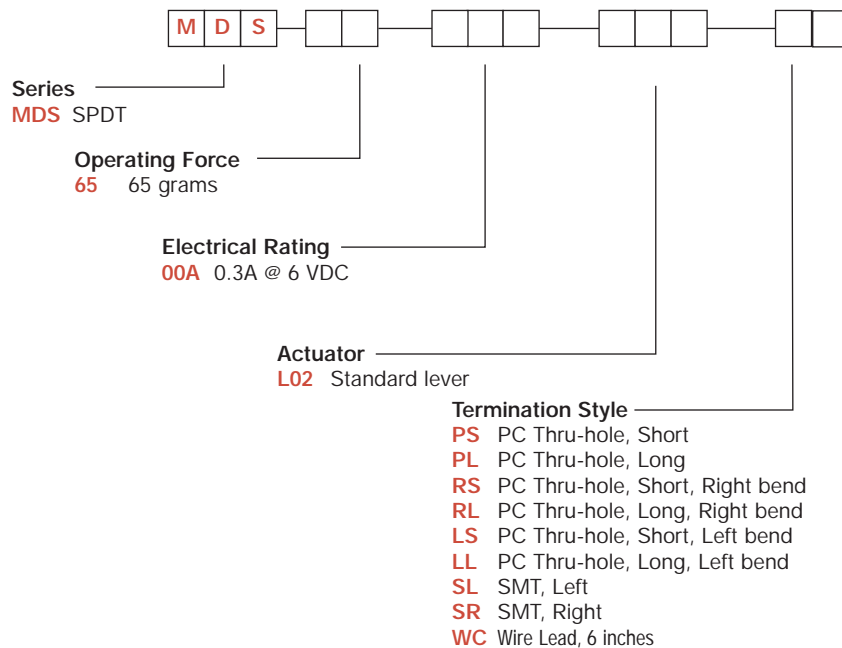
BASE: PA6T
 COVER & ACTUATOR: PA46
 MOVABLE CONTACT: Copper alloy, silver plated.
 STATIONARY CONTACTS: Copper alloy, silver plated.
 TERMINALS: Copper alloy, tin plated.

NOTE: MDS series is RoHS compliant, and compatible. See technical data section of this catalog for RoHS compliant and compatible definitions and specifications.

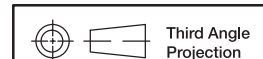
NOTE: Specifications and materials listed above are for switches with standard options. For information on specific and custom switches, consult Customer Service Center.

Build-A-Switch

To order, simply select desired option from each category and place in the appropriate box. Available options are shown and described on pages F-15 and F-18. For additional options not shown in catalog, consult Customer Service Center.



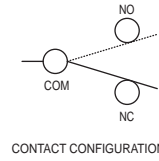
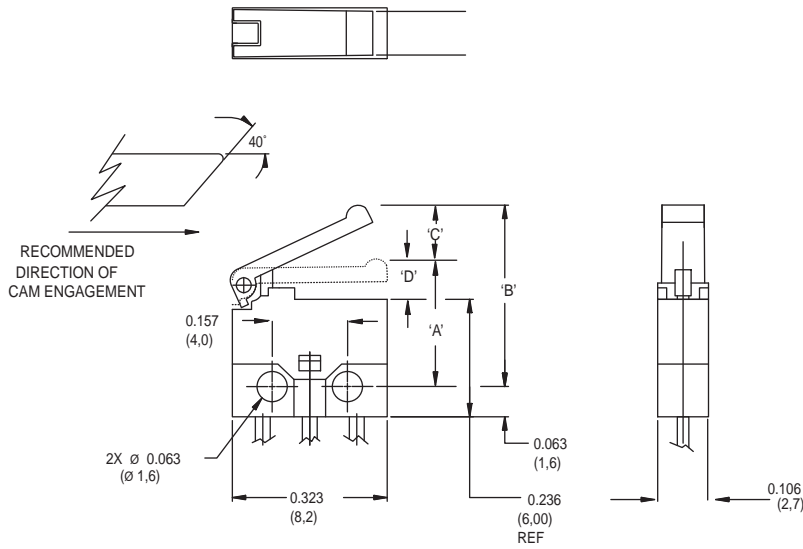
Detect



Dimensions are shown: Inch (mm)
 Specifications and dimensions subject to change

MDS Series Micro Snap-acting Detect Switches

SERIES **MDS**



OPERATING CHARACTERISTICS		
OPERATING POSITION	DIM 'A'	.276+015/-02 (7.0+0.4/-0.5)
FREE POSITION	DIM 'B'	.378(9.6) MAX
PRETRAVEL	DIM 'C'	.098(2.5) MAX
OVER TRAVEL	DIM 'D'	.006(0.15) MIN
CONTACT RATING		0.3A 6V DC
OPERATING FORCE		65 gf MAX.

OPERATING FORCE

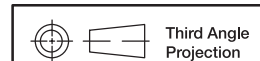
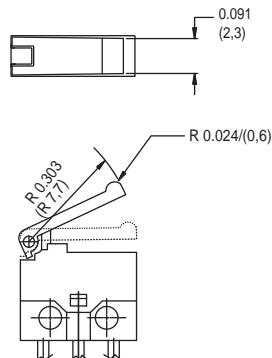
OPTION CODE	OPERATING FORCE
65	65 grams max.

ELECTRICAL RATING

OPTION CODE	ELECTRICAL RATING
00A	0.3A @ 6 V DC

ACTUATOR

L02 STANDARD LEVER



Dimensions are shown: Inch (mm)
Specifications and dimensions subject to change



F

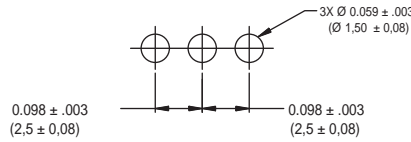
Detect

MDS Series Micro Snap-acting Detect Switches

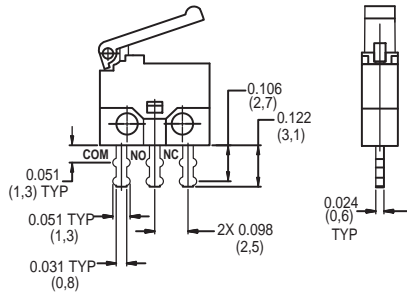
TERMINATIONS



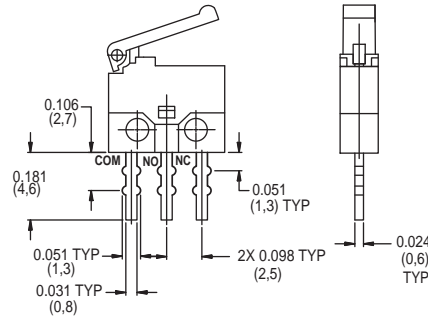
PCB Mounting Pattern



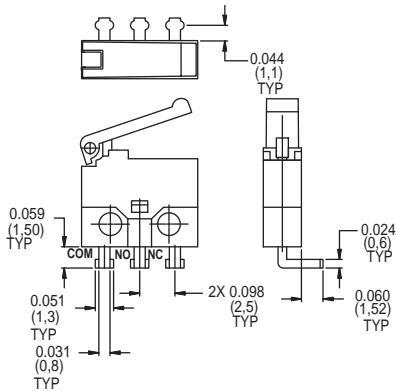
PS PC THRU-HOLE, SHORT STRAIGHT



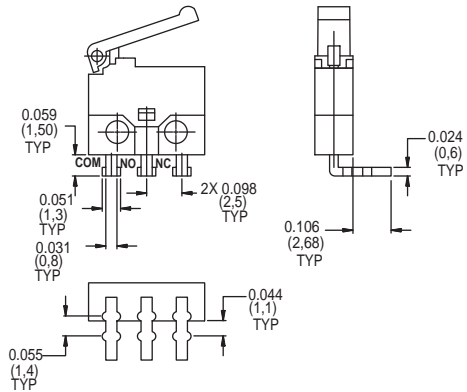
PL PC THRU-HOLE, LONG STRAIGHT



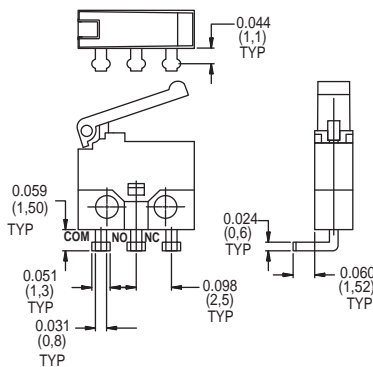
RS PC THRU-HOLE, SHORT RIGHT BEND



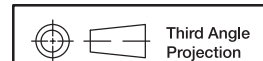
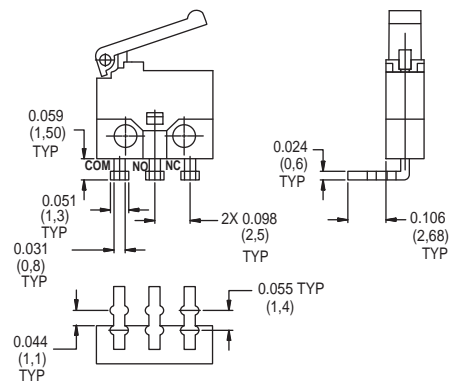
RL PC THRU-HOLE, LONG SHORT BEND



LS PC THRU-HOLE, SHORT LEFT BEND



LL PC THRU-HOLE, LONG LEFT BEND



Dimensions are shown: Inch (mm)
Specifications and dimensions subject to change



F

Detect

MDS Series Micro Snap-acting Detect Switches

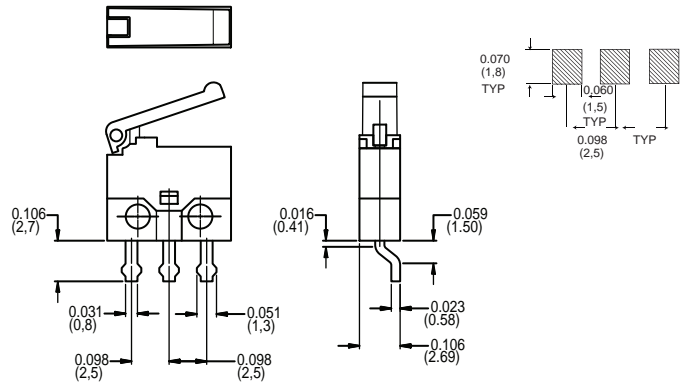
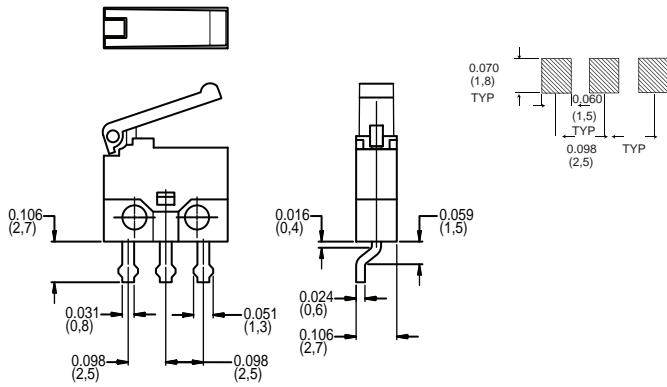
TERMINATIONS

SL SMT, LEFT MOUNT

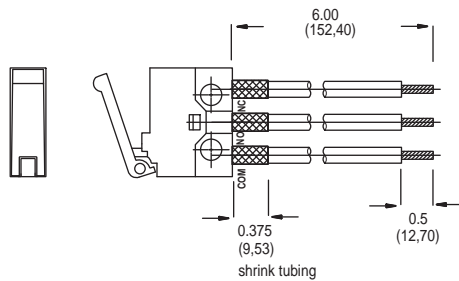
SMT Mounting Pattern

SR SMT, RIGHT MOUNT

SMT Mounting Pattern



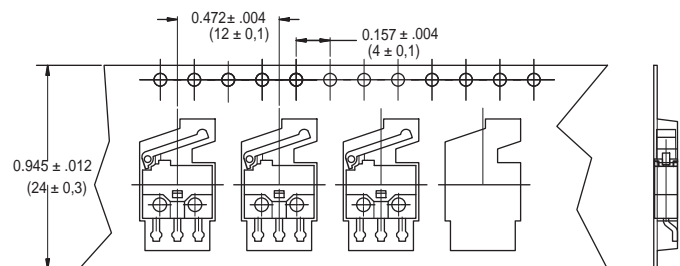
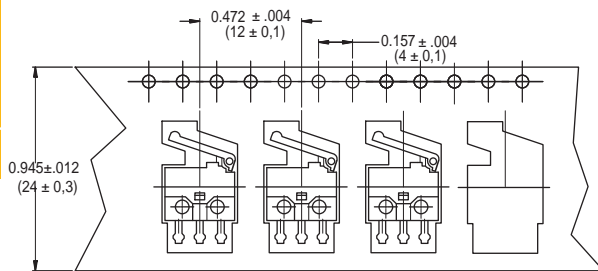
WC WIRE LEADS



PACKAGING

SL SMT, LEFT MOUNT

SR SMT, RIGHT MOUNT



PULLING-OUT DIRECTION OF THE TAPE

PULLING-OUT DIRECTION OF THE TAPE
SCALE 3:1

Note: SL and SR options supplied in carrier tape meeting the EIA-481-2 standard for 24mm tape. Packaging quantity: 1,600 pieces per reel.



Third Angle
Projection

Dimensions are shown: Inch (mm)
Specifications and dimensions subject to change

C&K